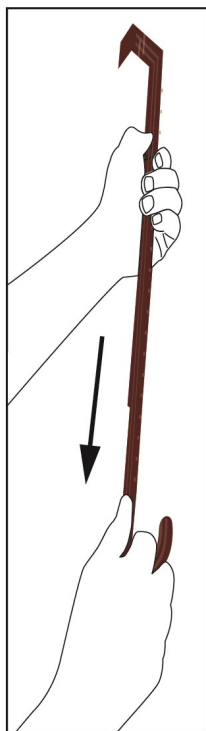
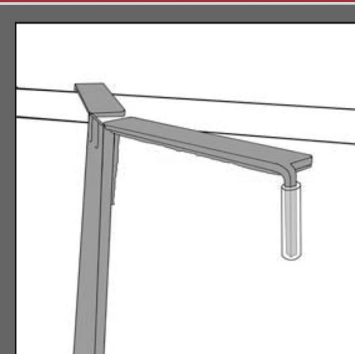


Adapt™ TOP & BOTTOM Adjustable Wreath Hanger

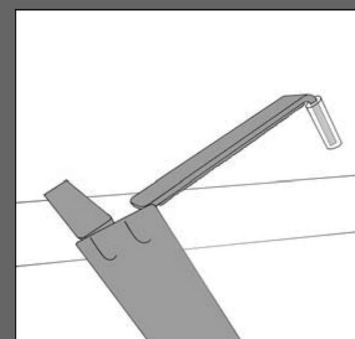
- Adjustable over-the-door wreath hanger
- Adapts to fit almost any size door
- Extends from 16.5 to 25 inches
- Top adjusts to fit most doors, 1 to 2.75 inches
- Sturdy metal construction holds even heavy wreaths up to 20 lbs.
- Soft pads protect doors from scratches
- Available in a variety of finishes
- Patented



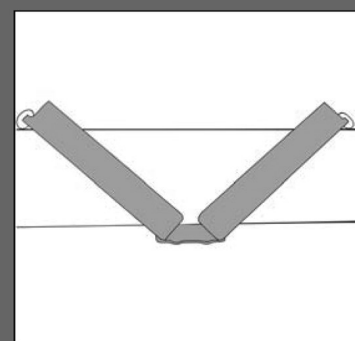
Pull end down while button is pressed.
Adjust to desired length and release button.



Hook one arm of wreath hanger on door.



Rotate wreath hanger up and twist to lock other arm on door.



Pull wreath hanger down so both arms are secure on back of door.

Haute Decor
PO Box 1594
Allen, TX 75013
Phone: 972-359-0115
Fax: 469-519-4268
www.Haute-Decor.com

Item

AWH402
AWH403
AWH404
AWH405
AWH406
AWH407

Finish

Brushed Nickel
Oil-Rubbed Bronze
Antique Brass
Brushed Copper
Matte Black
Matte Brown